

# NIBCO® Press System Lead-Free Bronze Ball Valves

**Features:** Silicon Performance Bronze® Alloy • Two-Piece Body • Full Port • Stainless Trim • Blowout-Proof Stem • Copper Ends x 3/4" Hose Connection with Cap

**Approvals:** MSS SP-110/145 • IAPMO/ANSI Z1157 • NSF/ANSI 61/372



**Size range:** 1/2" & 3/4"

**Pressure rating:** 250 PSI non-shock cold working pressure

Lead-free markings: Double oval in body casting, white handle and blue hang tag



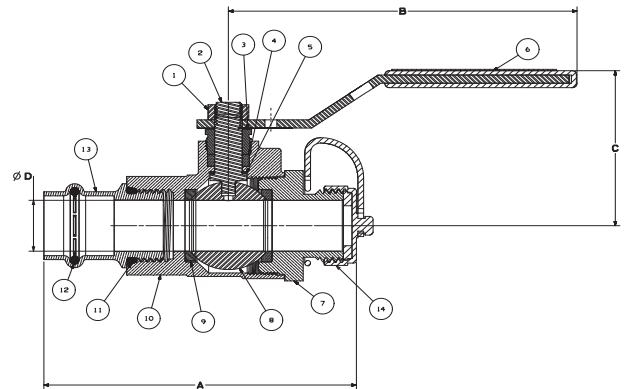
## MATERIAL LIST

PART	SPECIFICATION
1. Handle Nut	Zinc Plated Steel
2. Stem	Stainless Steel ASTM A276 Type 316
3. Pack Gland	Brass ASTM B16 Alloy C36000
4. Packing	PTFE
5. Thrust Washer	Reinforced PTFE
6. Handle Assembly	Zinc Plated Steel with Plastisol Coating
7. Hose Body End	Silicon Bronze ASTM B371 Alloy C69300
8. Ball (vented)	Stainless Steel ASTM A276 Type 316
9. Seat Ring (2)	Reinforced PTFE
10. Body	Silicon Bronze ASTM B584 Alloy C87600
11. Boss seal o-ring	EPDM
12. O-Ring	EPDM
13. Press End Adapter	Wrot Copper ASTM B75 Alloy C12200
14. Hose Cap Assembly <sup>1</sup>	Die Cast Brass, EPDM Gasket, Soft PVC Retainer

<sup>1</sup> Cap is for hose end thread protection only. Not to be used for pressure containing purposes.



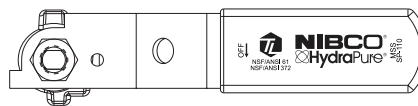
**PC-585-66-LF-HC**  
Press Female x Hose End



**PC-585-66-LF-HC**  
P x Hose

### Handle Options:

- Stainless Steel Lever
- NIB-Seal®
- NIB-Seal® Locking Lever
- Locking Lever
- Stainless Steel Locking Lever
- Memory Stop
- Extended Lever w/ Memory Stop
- Round
- Wing
- Horizontal and Vertical Chain



Handle Markings

## DIMENSIONS—WEIGHTS—QUANTITIES

SIZE	A		B		C		D		E		F		G		Weight		
	In.	mm.	In.	mm.	In.	mm.	In.	mm.	In.	mm.	In.	mm.	In.	mm.	Lbs.	Kg.	
1/2	15	3.61	92	3.76	96	1.96	50	0.50	13	5.93	151	1.31	33	0.70	18	0.92	0.42
3/4	20	4.32	110	4.76	121	2.28	58	0.75	19	7.28	185	1.62	41	0.96	24	1.70	0.77

**WARNING:** This product can expose you to chemicals including lead, which is known to the State of California to cause cancer and birth defects or other reproductive harm. For more information go to [www.P65Warnings.ca.gov](http://www.P65Warnings.ca.gov).

LEAD-FREE: Weighted average lead content ≤ 0.25%

Visit our website for the most current information.